

PRODUCT SPECIFICATIONS Product Model: CRA512Q-W

Series Name:

Product Feature:

Model : CRA512Q-W



The size of its outlook is 9mm or 12mm, it can be made into point control or ground control if necessary. Controlled with SD card, you can edit the effect you want by yourself, namely jumping change, gradual change, single-color chasing, scanning. The distance of installation depends on the operating environments, suggested distance: 2 to 4cm.

Features: easily installation, high-brightness, long life, gorgeous colors, etc.

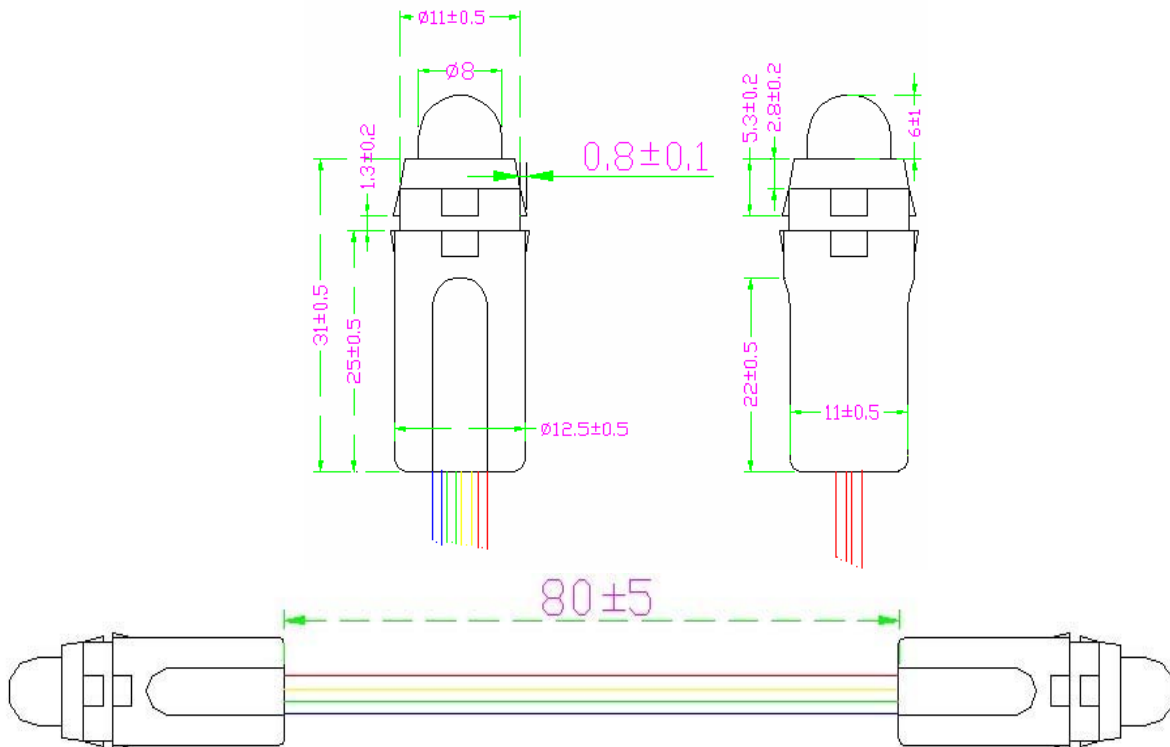
Electrical Parameter

Model No.	LED Type	Angle	LED Color	Luminous Flux (lm)	Wavelength/Color temp. (nm/K)	Working Voltage (V)	Power (W)	Working life (h)
CRA512Q-W	φ8 Rat	90°	Red	2	620-625	DC 5V	0.3W/pcs	50000h
			Green	3	515-520			
			Blue	1	465-470			

Others

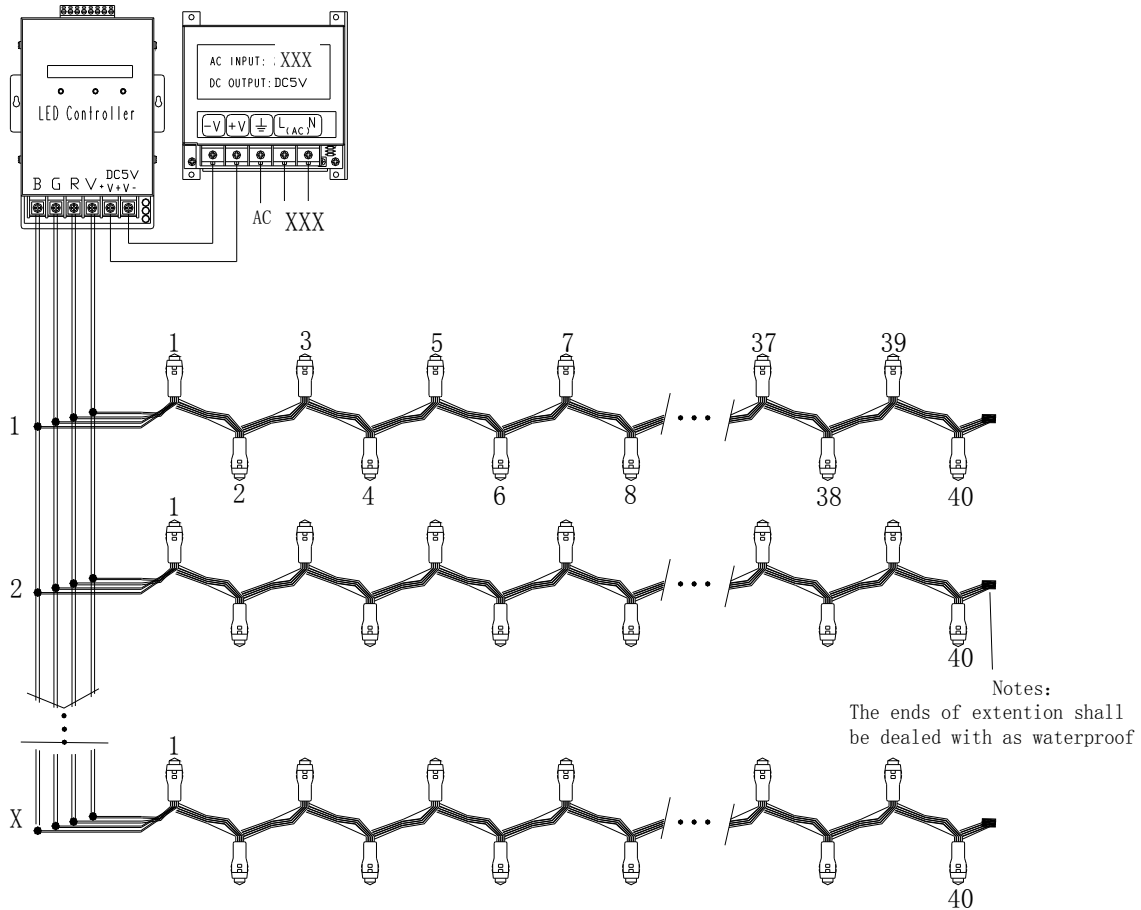
LED QTY	Cascade QTY	IP Degree	Wires	Shell	Driving Type	Fasten Type	Working temp.	Store temp.
1pcs	≤40pcs	IP65	22# red, yellow, green, blue	Creamy white PVC	constant voltage	screws	-40°C — +50°C	-40°C — +50°C

Dimension (Unit: mm) :



PRODUCT SPECIFICATIONS Product Model: CRA512Q-W

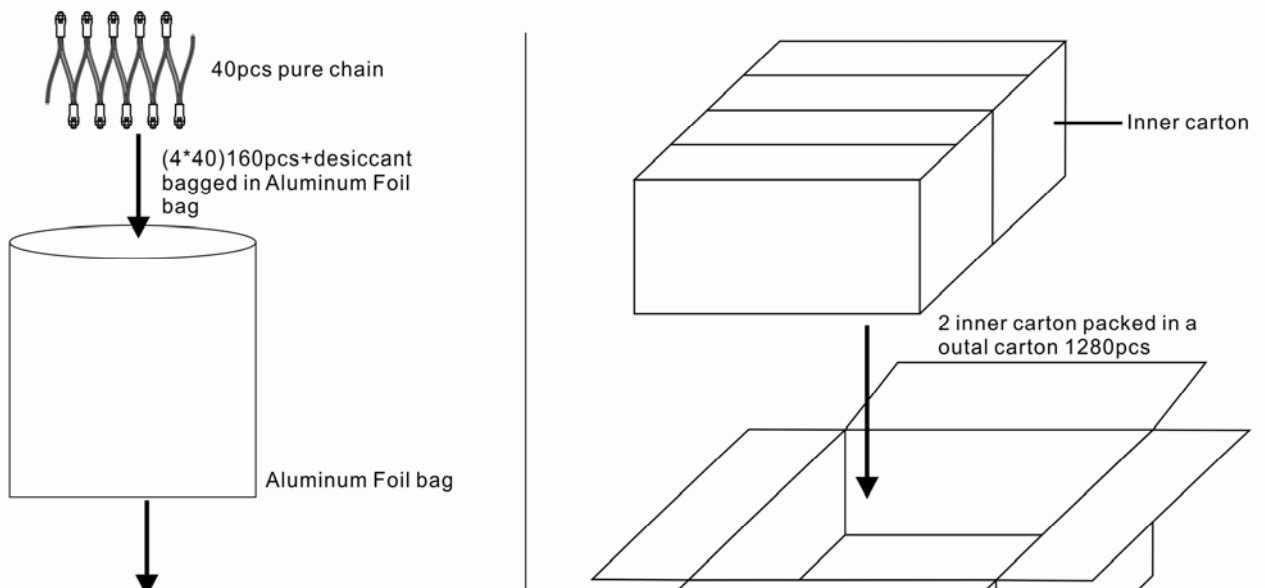
Connection Diagram (Unit: mm) :



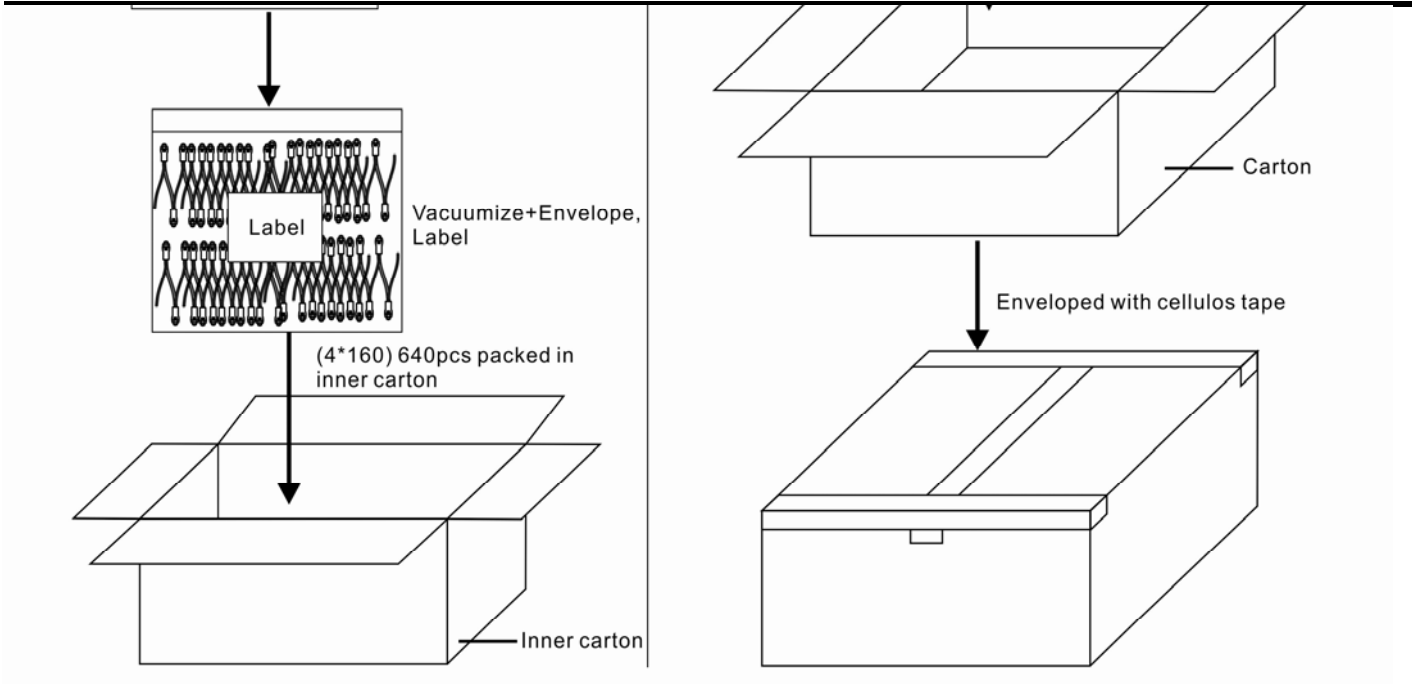
Notes:

- 1、 The thickness of the wires shall be adopted based on the possible current, products power, length of the wire extension (5 meter at maximum as recommended) and the loss in the wires transit at low voltage.
- 2、 The both ends of extension shall be dealt with as waterproof;
- 3、 Don't work under the situations of touching in static-electronics environments or light on
- 4、 The products can be connected to 40 pcs at maximum and no exceed;
- 5、 Suggest choosing high-qualified switch power (have short electronics, overvoltage and overloading protection function etc).

Package Diagram:



PRODUCT SPECIFICATIONS Product Model: CRA512Q-W



Cautions:

- 1.Outer carton:52*37*26cm ; Small carton:35x25x23cm ; Aluminium-Foil bag:305x280x0.12mm .
- 2.40pcs per chain,4pcs chain in one Aluminum -foil bag . (160 pcs in one Aluminum foil)
- 3.One small carton contain 4 bags. (640 pcs in one small carton)
- 4.One outer carton contain two small cartons . (1280 pcs in one outer carton)
- 5.N.W: $8.2 \pm 10\%$ Kg
- 6.G.W: $10.2 \pm 15\%$ Kg