

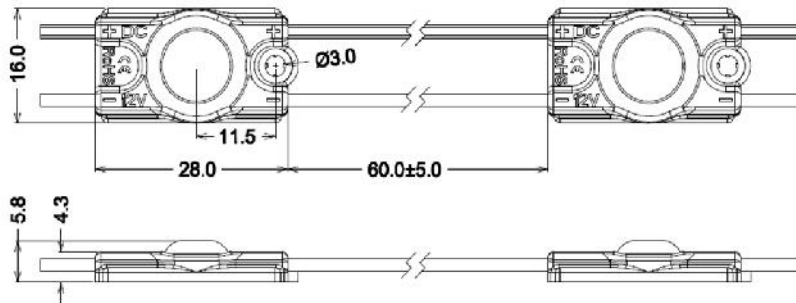
Feature:

- ◆ Constant Current Technology (CCT), 50 pcs per series
- ◆ The exposed Aluminum plate for heat dissipation
- ◆ Injection molding process, Waterproof:IP 65
- ◆ Bigger chip, 10% brighter than before
- ◆ Energy saving, Environment friendly
- ◆ Long life span
- ◆ Suitable for 3-6cm height channel letters and light boxes backlighting etc.

Picture:



Dimensions:



Typical optical characteristics curves



Rules of Naming Products:

Code	Color	Operation Voltage	Rated Current	Rated Power	Beam Angle	Luminous Flux	wave length	Working Temp.	IP Rank
UTW356B	Pure White	DC12V	40mA	0.48W	160°	45Lm	6000-7000K	-40°C-60°C	IP 65
UTC356B	Cool White	DC12V	40mA	0.48W	160°	45Lm	9000-12000K	-40°C-60°C	IP 65



Absolute maximum ratings

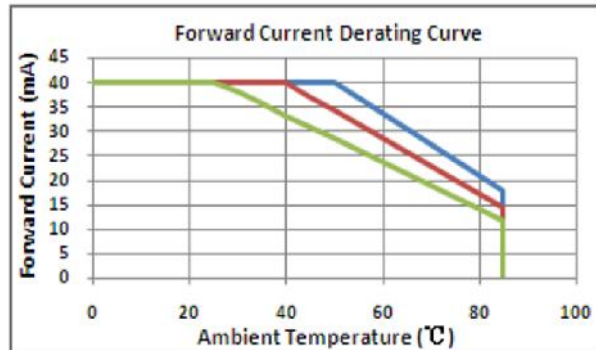
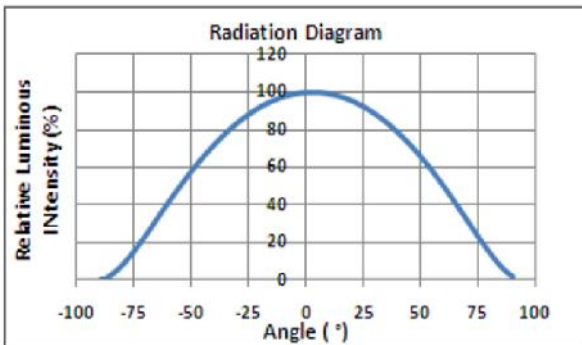
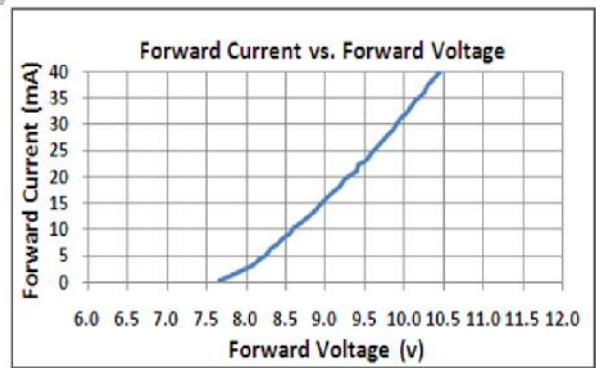
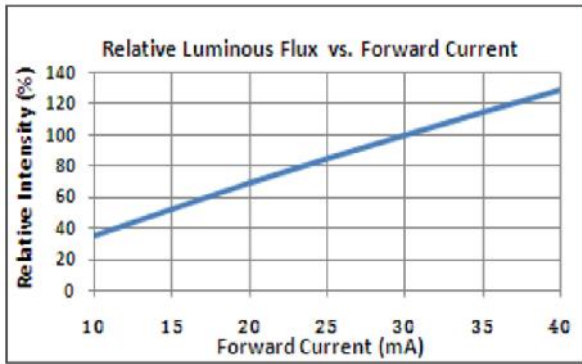
Parameter	Symbol	Value	Unit
Forward current	If	40	mA
Reverse voltage	Vr	5	V
Operating temperature range	Top	-20 ~+85	°C
Storage temperature range	Tstg	-35~+85	°C
Pulse forward current	Ifp	40	mA
Electrostatic discharge	ESD	2000 (HBM)	V

Reliability

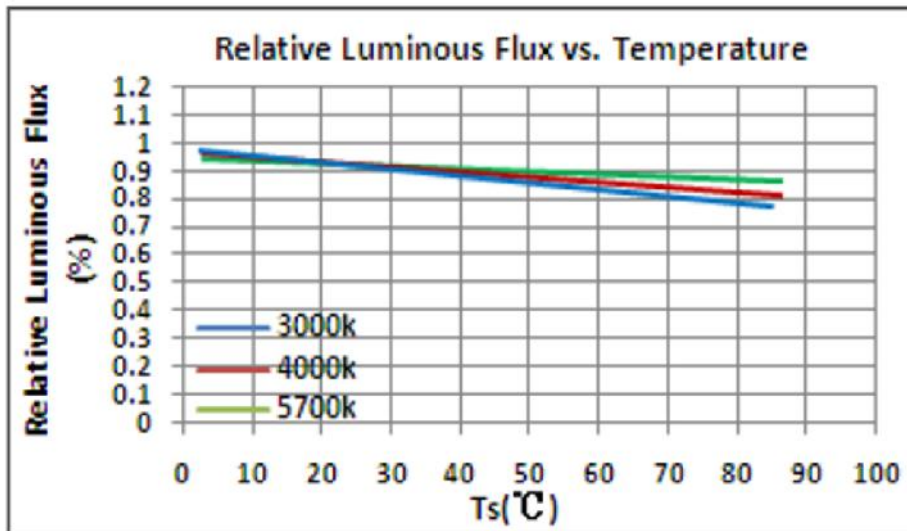
	Test item	Ref. standard	Test condition	Note	Damaged
environment sequence	Resistance to soldering heat (Reflow Soldering)	JESD22-B106	Tsld=260°C, 10sec	2 times	0/22
	Temperature cycle	JESD22-A104	-40 30min ↑ ↓ 5min 100°C 30min	1000 cycle	0/100
	Thermal shock	JESD22-A106	-40 15min ↑ ↓ 100°C 15min	1000 cycle	0/100
	High temperature	JESD22-A103	Ta=100°C	1000 cycle	0/100
	Low temperature	JESD22-A119	Ta=40°C	1000 cycle	0/100
	Power temperature	JESD22-A105	On 5min -40 >15min ↑ ↓ <15min Off 5min 100 >15min	1000 cycle	0/100
	Life test	JESD22-A108	Ta=25°C If=120mA	1000 cycle	0/100
	High humidity heat life test	JESD22-A101	60°C RH=90% If=60mA	1000 cycle	0/100



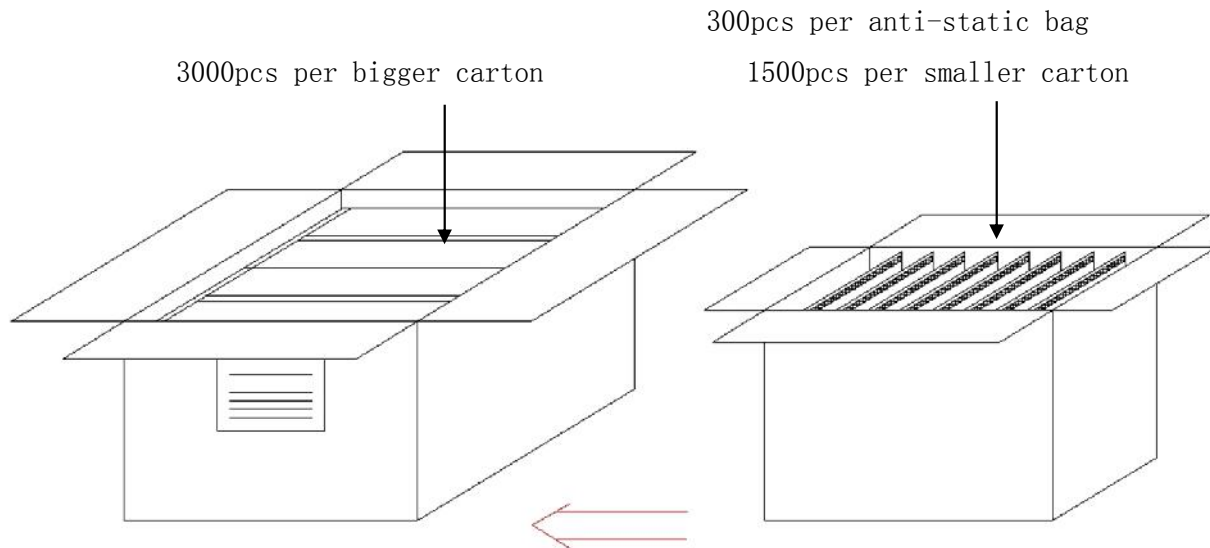
Typical optical characteristics curves



Affect of Tj on Luminous Maintenance



Packaging



Cautions:

1. Outal carton:52x37x26cm ; Small carton:35x25x23cm ; Anti-static bag:305x280x0.12mm .
2. 50pcs per chain,4pcs chain in one Anti-static bag . (200 pcs in one Anti-static bag)
3. 5 bags in one small carton . (1000 pcs in one small carton)
4. One outal carton contains two small cartons . (2000 pcs in one outal carton)

